



# UP149 3/8"-2"

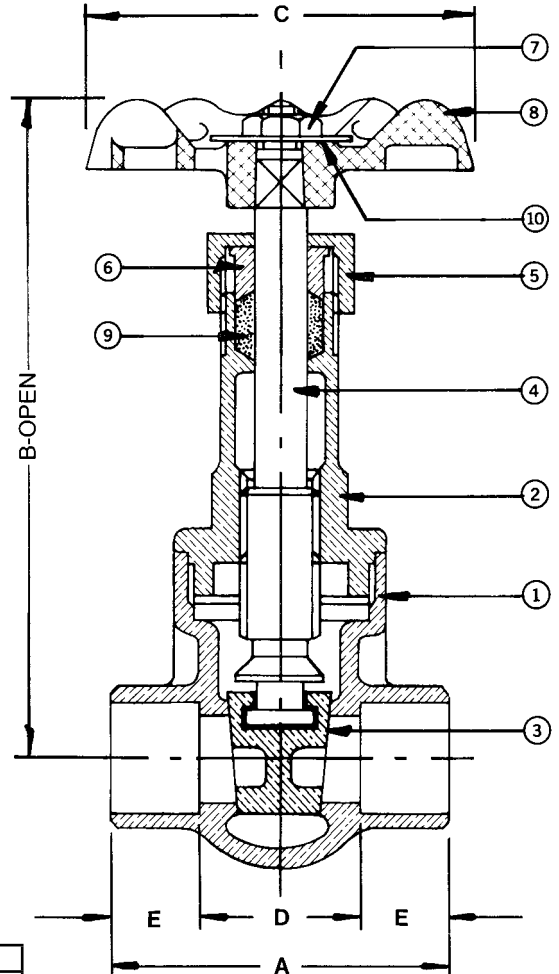


**Bronze Gate Valve for Potable Water**  
**300 psig WOG †**  
**Solid Wedge Disc • Rising Stem**  
**Threaded Bonnet • Solder Ends**  
**Dimensions and Workmanship Conform to MSS SP-80**

## MATERIALS LIST

ITEM	PART	MATERIALS	ASTM SPEC.
1	Body	Bronze	B584 C89833
2	Bonnet	Bronze	B584 C89833
3	Wedge	Bronze	B584 C89833
4	Stem	Brass	B21 C46400, H02
5	Stuff Nut	Brass	B283 C27450
6	Gland <sup>1</sup>	Brass	B283 C27450
7	Wheel Nut	Brass	Commercial
8	Handwheel	Mall. Iron	Commercial
9	Packing	Graphite	Commercial
10	Name Plate	Sh. Alum	Commercial

1 Not used on 1/2" and smaller



## DIMENSIONS

Units	Size	A	B	C	D	E	Cv
INCHES	3/8	1.63	4.31	2.00	0.88	0.38	10.7
mm		41	110	51	22	10	
INCHES	1/2	1.88	4.31	2.00	0.88	0.50	17.6
mm		48	110	51	22	13	
INCHES	3/4	2.50	6.25	2.50	1.00	0.75	32.0
mm		64	159	64	25	19	
INCHES	1	3.00	7.00	2.75	1.19	0.91	54.0
mm		76	178	70	30	23	
INCHES	1 1/4	3.25	8.63	3.44	1.31	0.97	97.0
mm		83	219	87	33	25	
INCHES	1 1/2	3.63	9.50	3.75	1.44	1.09	135.0
mm		92	241	95	37	28	
INCHES	2	4.31	11.50	3.75	1.63	1.34	230.0
mm		110	292	95	41	34	

† Non-Shock

**Note:** Lead free refers to the wetted surface of the pipe, fittings and fixtures in potable water systems that have a weighted average lead content  $\leq 0.25\%$ . Source: California Health and Safety Code (116875).

The information presented on this sheet is correct at time of publication. Milwaukee Valve reserves the right to change design and/or materials without notice. For our Installation, Operation and Maintenance Manual and the most current product information go to [www.milwaukeevalve.com](http://www.milwaukeevalve.com).

⚠ State of California Prop 65 **WARNING:** Cancer and Reproductive Harm. For more information visit [www.p65warnings.ca.gov](http://www.p65warnings.ca.gov).

