



Bronze Globe Valve For Potable Water
300 psig WOG †
Bronze Disc
Threaded Bonnet • Solder Ends
Dimensions and Workmanship Conform to MSS SP-80

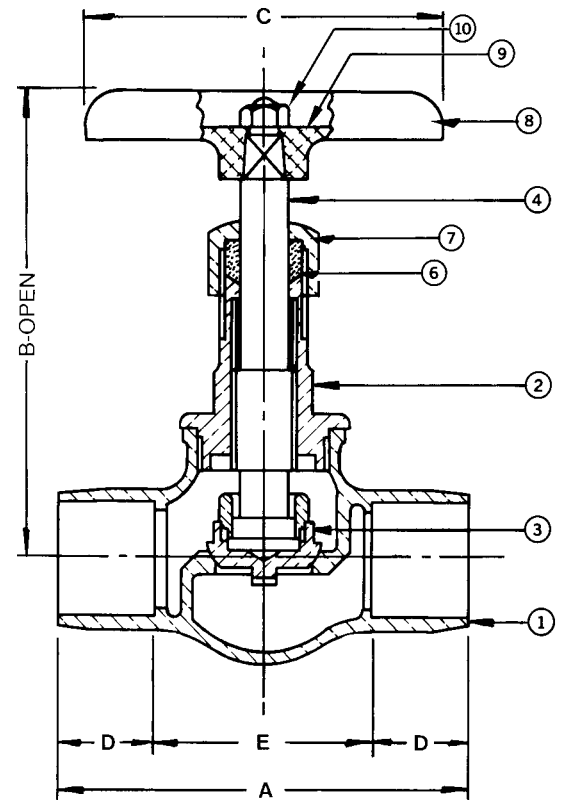
UP1502* 3/8"-2"



*1/2" sizes has the disc integral with the stem and have no disc ring.

MATERIALS LIST

ITEM	PART	MATERIALS	ASTM SPEC.
1	Body	Bronze	B584 C89833
2	Bonnet	Bronze	B584 C89833
3	Disc	Bronze	B584 C89833, ASTM
		Brass	B21 C46400, H02
4	Stem	Bronze	B21 C46400, H02
5	Disc Ring	Brass	B21 C46400, H02
6	Packing	Graphite	Commercial
7	Packing Nut	Brass	B16 C30000
8	Handwheel	Mall. Iron	Commercial
9	Identification Plate	Aluminum	Commercial
10	Handwheel Nut	Brass	Commercial



DIMENSIONS

Units	Size	A	B	C	D	E	Gv
INCHES	3/8	1.94	3.19	2.00	0.38	1.18	2.2
mm		49	81	51	10	30	
INCHES	1/2	2.44	3.75	2.00	0.50	1.44	3.6
mm		62	95	51	13	37	
INCHES	3/4	3.19	4.00	2.50	0.75	1.69	6.7
mm		81	102	64	19	43	
INCHES	1	3.69	4.38	2.75	0.91	1.88	11.1
mm		94	111	70	23	48	
INCHES	1 1/4	4.19	5.13	3.44	0.97	2.25	20.0
mm		106	130	87	25	57	
INCHES	1 1/2	4.75	5.63	3.75	1.09	2.56	28.0
mm		121	143	95	28	65	
INCHES	2	5.94	6.69	4.25	1.34	3.25	48.0
mm		151	170	121	34	83	

† Non-Shock

Note: Lead free refers to the wetted surface of the pipe, fittings and fixtures in potable water systems that have a weighted average lead content ≤0.25%. Source: California Health and Safety Code (116875).

The information presented on this sheet is correct at time of publication. Milwaukee Valve reserves the right to change design and/or materials without notice. For our Installation, Operation and Maintenance Manual and the most current product information go to www.milwaukeevalve.com.

⚠ State of California Prop 65 **WARNING:** Cancer and Reproductive Harm. For more information visit www.p65warnings.ca.gov.

