



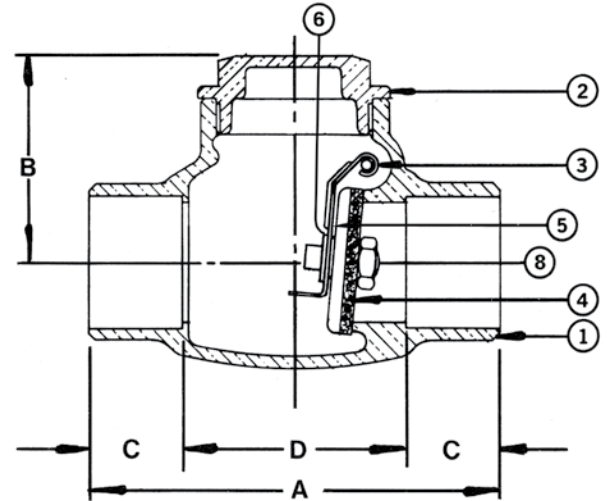
**Bronze Check Valve For Potable Water**  
**300 WOG† (3/8" - 2") 200 psig WOG †(2 1/2" - 3")**  
**Bronze Disc**  
**Horizontal Swing • Solder Ends**  
**Dimensions and Workmanship Conform to MSS SP-80**

# UP1509 3/8" - 3"



### MATERIALS LIST

ITEM	PART	MATERIALS	ASTM SPEC.
1	Body	Bronze	B584 C89833
2	Cap	Bronze	B584 C89833
3	Pin	Stainless Steel	A276 S30400 (3/8"-1") A582 S30300 (1 1/4"-2")
		Brass	B21 C46400, H02
4	Disc	Brass	B21 C46400, H02
		Bronze	B584 C89833 (2"-3")
5	Lever	Stainless Steel	A276 S530200
6	Retaining Ring	Stainless Steel	A276 S530400
7	Plug (not shown)	Brass	B21 C46400, H02
8	Disc Nut	Brass	B21 C46400, H02 (2 1/2"-3")



### DIMENSIONS

Units	Size	A	B	C	D	Cv
INCHES	3/8	2.25	1.32	0.38	1.50	6.0
mm		57	34	10	38	
INCHES	1/2	2.75	1.32	0.51	1.73	10.0
mm		70	34	13	44	
INCHES	3/4	3.31	1.69	0.75	1.75	18.0
mm		84	43	19	45	
INCHES	1	4.00	1.97	0.91	2.19	31.0
mm		102	50	23	56	
INCHES	1 1/4	4.25	2.16	0.97	2.31	54.0
mm		108	55	25	59	
INCHES	1 1/2	4.94	2.41	1.09	2.75	76.0
mm		125	61	28	70	
INCHES	2	6.13	2.81	1.34	3.44	131.0
mm		156	72	34	87	
INCHES	2 1/2	7.38	3.63	1.48	4.42	233.8
mm		187	92	38	112	
INCHES	3	8.50	4.19	1.66	5.19	286.4
mm		216	106	42	132	

† Non-Shock

**Note:** Lead free refers to the wetted surface of the pipe, fittings and fixtures in potable water systems that have a weighted average lead content ≤0.25%. Source: California Health and Safety Code (116875).

The information presented on this sheet is correct at time of publication. Milwaukee Valve reserves the right to change design and/or materials without notice. For our Installation, Operation and Maintenance Manual and the most current product information go to [www.milwaukeevalve.com](http://www.milwaukeevalve.com).

⚠ State of California Prop 65 **WARNING:** Cancer and Reproductive Harm. For more information visit [www.p65warnings.ca.gov](http://www.p65warnings.ca.gov).

