



UP502 1/8"-2"



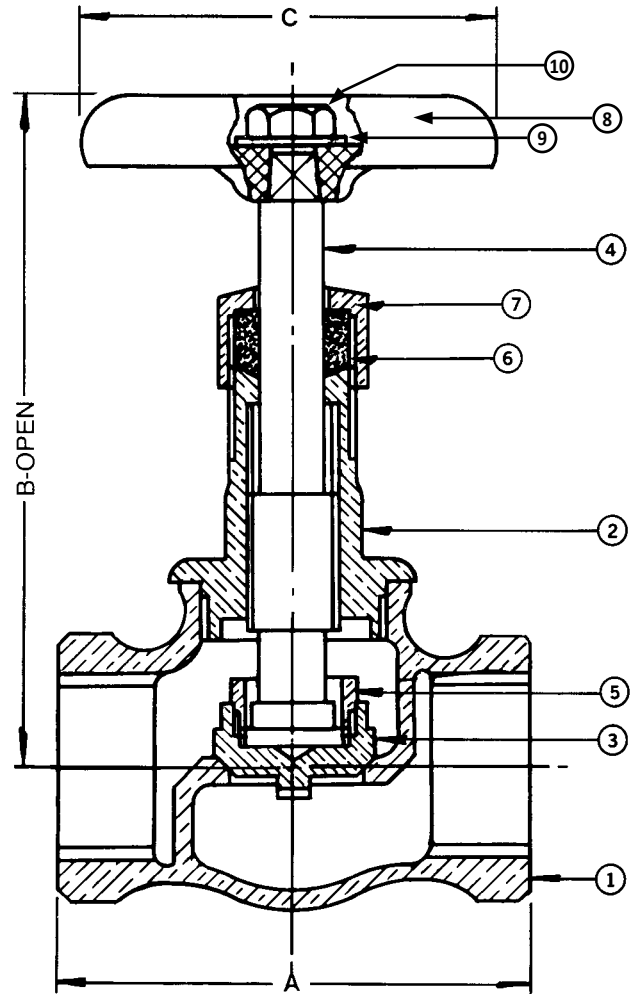
Bronze Globe Valve For Potable Water
300 psig WOG †
Bronze Disc

Threaded Bonnet • Threaded Ends
Dimensions and Workmanship Conform to MSS SP-80

MATERIALS LIST

ITEM	PART	MATERIALS	ASTM SPEC.
1	Body	Bronze	B584 C89833
2	Bonnet	Bronze	B584 C89833
3	Disc	Bronze	ASTM B584 C89833
		Brass	B21 C46400, H02
4	Stem	Brass	ASTM B21 C46400, H02
5	Disc Ring	Brass	ASTM B21 C46400, H02
6	Packing	Graphite	Commercial
7	Packing Nut	Brass	B16 C36000
8	Handwheel	Mall. Iron	Commercial
9	Identification Plate	Aluminum	Commercial
10	Handwheel Nut	Brass	Commercial

1/8" to 1/2" sizes have the disc integral with the stem and have no disc ring.



DIMENSIONS

Units	Size	A	B	C	Cv
INCHES	1/8	1.63	3.06	2.00	0.6
mm		41	78	51	
INCHES	1/4	1.63	3.06	2.00	1.2
mm		41	78	51	
INCHES	3/8	1.81	3.19	2.00	2.2
mm		46	81	51	
INCHES	1/2	2.31	3.63	2.00	3.6
mm		59	92	51	
INCHES	3/4	2.56	3.94	2.50	6.7
mm		65	100	64	
INCHES	1	2.94	4.38	2.75	11.1
mm		75	111	70	
INCHES	1 1/4	3.38	5.19	3.44	20.0
mm		86	132	87	
INCHES	1 1/2	3.69	5.75	3.75	28.0
mm		94	146	95	
INCHES	2	4.44	6.75	4.25	48.0
mm		113	172	108	

† Non-Shock

Note: Lead free refers to the wetted surface of the pipe, fittings and fixtures in potable water systems that have a weighted average lead content ≤0.25%. Source: California Health and Safety Code (116875).

The information presented on this sheet is correct at time of publication. Milwaukee Valve reserves the right to change design and/or materials without notice. For our Installation, Operation and Maintenance Manual and the most current product information go to www.milwaukeevalve.com.

⚠ State of California Prop 65 **WARNING:** Cancer and Reproductive Harm. For more information visit www.p65warnings.ca.gov.

