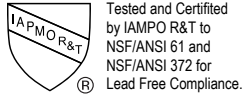




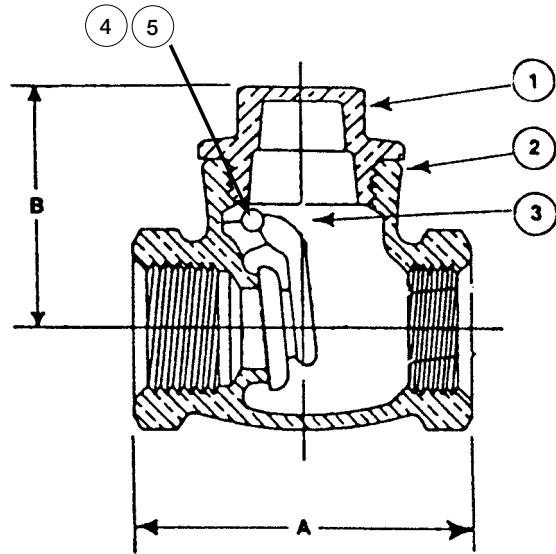
UP967 & UP968 3/8"-3"



Brass Swing Check Valve for Potable Water
200 WOG †
Brass Disc
Threaded Bonnet
Threaded Ends (UP967) • Solder Ends (UP968)

MATERIALS LIST

ITEM	PART	MATERIALS	ASTM SPEC.
1	Cap	Forged Brass	B283, C27450
2	Body	Forged Brass	B283, C27450
3	Disc	Forged Brass	B283, C27450
4	Side Plug	Stainless Steel	A276, S30400
5	Pin	Stainless Steel	A276, S30400

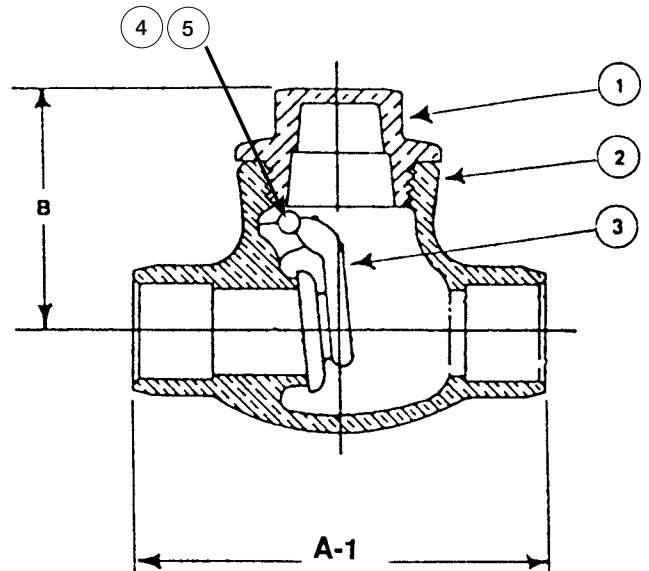


UP967 Threaded

DIMENSIONS

Units	Size	A	A-1	B
INCHES	3/8	1.82	-	1.35
mm		46	-	34
INCHES	1/2	1.86	2.18	1.35
mm		47	55	34
INCHES	3/4	2.11	2.85	1.53
mm		54	72	39
INCHES	1	2.52	3.46	1.74
mm		64	88	44
INCHES	1 1/4	2.72	3.70	1.99
mm		69	94	51
INCHES	1 1/2	3.23	4.33	2.28
mm		82	110	58
INCHES	2	3.70	5.12	2.48
mm		94	130	63
INCHES	2 1/2	5.20	6.73	3.11
mm		132	171	79
INCHES	3	5.83	7.48	3.81
mm		148	190	97

Warning: DO NOT USE for reciprocation
 air compressor service.
 † Non-Shock



UP968 Solder

Note: Lead free refers to the wetted surface of the pipe, fittings and fixtures in potable water systems that have a weighted average lead content ≤0.25%. Source: California Health and Safety Code (116875).

The information presented on this sheet is correct at time of publication. Milwaukee Valve reserves the right to change design and/or materials without notice. For our Installation, Operation and Maintenance Manual and the most current product information go to www.milwaukeevalve.com.
 ⚠ State of California Prop 65 **WARNING:** Cancer and Reproductive Harm. For more information visit www.p65warnings.ca.gov.

