



# UPBA-475B 1/4"-3"



Tested and Certified by IAPMO R&T to NSF/ANSI 372 for Lead Free Compliance.



ANSI Z 21.158 ASME B16.44



UL 125 US UL 842 \*\*



APPROVED 1140

1/4" through 2" Only

**Brass Ball Valve For Potable Water**  
**Two Piece**  
**Full Port**  
**600 psig WOG (1/4" - 2")**  
**400 psig WOG (2 1/2" - 3")**  
**Threaded Ends**  
**Blow-Out Proof Stem**

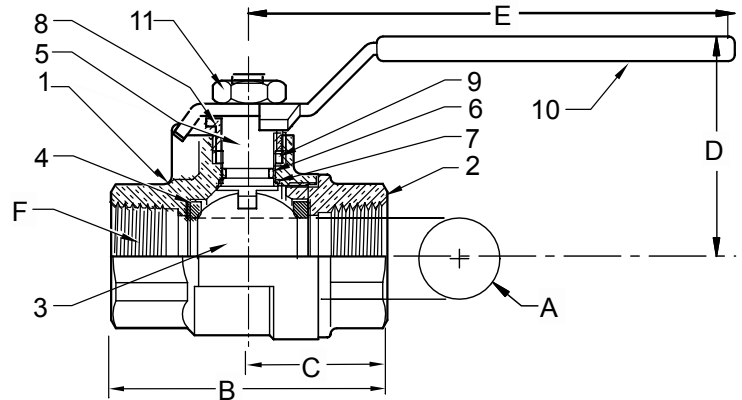
**Dimensions and Workmanship Conform to MSS SP-110,**

**Also Available UPBA475B-LL**

**\*\* Additional body/tailpiece seal for 2 1/2" & 3" sizes only (Not Pictured).**

## MATERIALS LIST

ITEM	PART	MATERIALS	ASTM SPEC.
1	Body	Brass, Forged	B283 C27450
2	Tailpiece	Brass, Forged	B283 C27450
3	Ball	Brass w/Chrome Plating	B283 C27450
4	Ball Seat	PTFE	Commercial
5	Stem	Brass	B124 C27450
6	O-Ring	Buna-N	D2006
7	Thrust Washer	PTFE	Commercial
8	Gland Nut	Brass	B16 C36000
9	Packing	PTFE	Commercial
10	Handle	Zinc Plated Steel	Commercial
11	Handle Nut	Zinc Plated Steel	Commercial
12	Seal	PTFE (2 1/2" & 3")**	Commercial



## DIMENSIONS

	UNITS	1/4"	3/8"	1/2"	3/4"	1"	1-1/4"	1-1/2"	2"	2-1/2"	3"
	A	INCHES	0.39	0.39	0.51	0.76	1.00	1.26	1.50	2.00	2.48
	mm	10	10	13	19	25	32	38	51	63	75
B	INCHES	1.87	1.87	2.25	2.62	3.06	3.50	3.75	4.38	5.16	6.00
	mm	47	47	57	67	78	89	95	111	131	152
C	INCHES	0.95	0.95	1.12	1.31	1.91	2.21	1.87	2.19	2.58	3.00
	mm	24	24	28	33	49	56	47	56	66	76
D	INCHES	1.42	1.42	1.46	1.93	2.10	2.33	2.52	2.96	3.94	4.37
	mm	36	36	37	49	53	59	64	75	100	111
E	INCHES	3.14	3.14	3.14	4.35	4.35	5.00	5.00	6.90	7.87	7.87
	mm	80	80	80	110	110	127	127	175	200	200
F	THREAD SIZE	1/4" NPT	3/8" NPT	1/2" NPT	3/4" NPT	1" NPT	1-1/4" NPT	1-1/2" NPT	2" NPT	2-1/2" NPT	3" NPT
Cv		12	12	18	40	72	112	161	287	307	323

**Note:** Lead free refers to the wetted surface of the pipe, fittings and fixtures in potable water systems that have a weighted average lead content  $\leq 0.25\%$ . Source: California Health and Safety Code (116875).

The information presented on this sheet is correct at time of publication. Milwaukee Valve reserves the right to change design and/or materials without notice. For our Installation, Operation and Maintenance Manual and the most current product information go to [www.milwaukeevalve.com](http://www.milwaukeevalve.com).

⚠ State of California Prop 65 **WARNING:** Cancer and Reproductive Harm. For more information visit [www.p65warnings.ca.gov](http://www.p65warnings.ca.gov).



# OPTIONS\*

BA200/250  
BA-475B/485B  
BA480B/BA490B

## XH Extension Handle

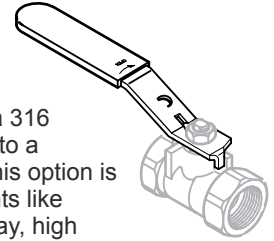
The "XH" stem extension is a simple and effective design. This option is designed for installations where pipe insulation would make standard handles inoperable.

BA480B/490B Series use  
BA481B/491B



## SH Stainless Steel Handle

The "SH" handle option adds a 316 stainless steel handle and nut to a standard bronze ball valve. This option is intended for harsh environments like areas subject to salt water spray, high humidity, harsh cleaning chemicals, etc.



## MS Memory Stop

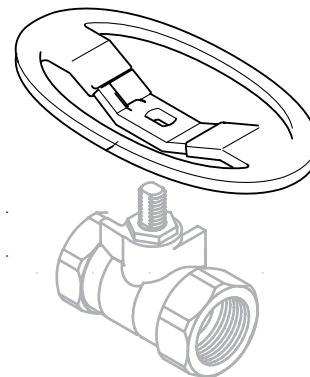
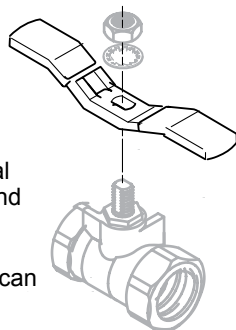
The "MS" Memory Stop provides an adjustable stop when the valve is used in a balancing application. The memory stop can be set to any preset opening point.

## OH Oval Handle

Oval handles can be installed where a standard lever handle might encounter interference from adjoining piping. Oval handles can also prevent accidental valve operations, since they have less projection than a lever handle, and require more turning force to operate. The standard oval handle can be field or factory mounted on BA-200/BA-475B series valves up to 2".

## TH Tee Handle

Tee handles offer the same installation space savings as oval handles, with a slightly shorter end to end dimension. Tee handles require more handle force to operate, so accidental openings can be reduced.



**\*Locking Lever Handle Is Available.**

The information presented on this sheet is correct at time of publication. Milwaukee Valve reserves the right to change design and/or materials without notice. For our Installation, Operation and Maintenance Manual and the most current product information go to [www.milwaukeevalve.com](http://www.milwaukeevalve.com).  
⚠ State of California Prop 65 **WARNING:** Cancer and Reproductive Harm. For more information visit [www.p65warnings.ca.gov](http://www.p65warnings.ca.gov).

