



# UPBA-480B\* 1/2"-4"\*\*\*



IAPMO R&T: Tested and Certified to NSF/ANSI/CAN Z1157.  
 NSF/ANSI/CAN 61  
 NSF/ANSI/CAN 372  
 NSF/ANSI/CAN Z1157  
 1/2" through 3" Only.

Brass Ball Valve For Potable Water

Two Piece

Full Port

250 psig (1/2" - 2") @250°F†

200 psig (2-1/2" - 4") @250°F†

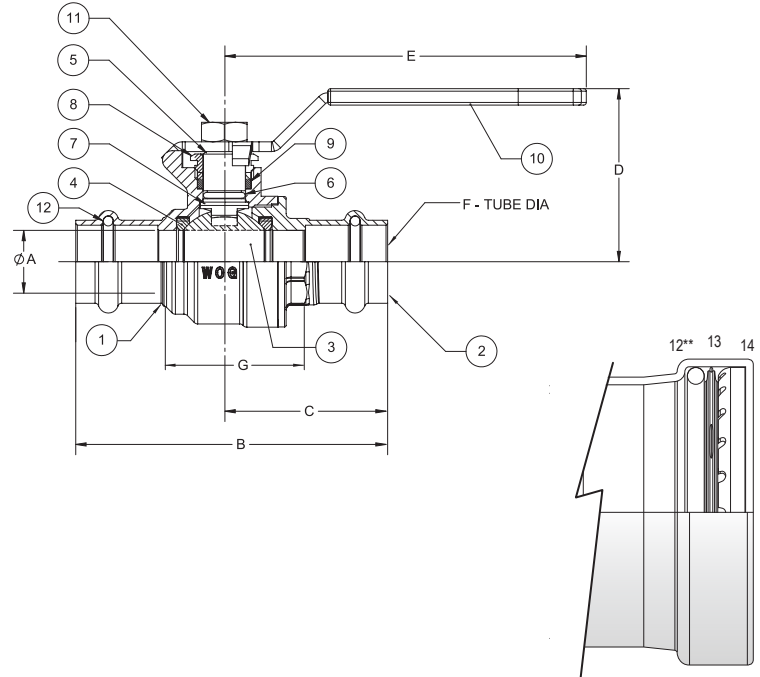
Press x Press Ends

Blow-Out Proof Stem

† Non-Shock

## MATERIALS LIST

ITEM	PART	MATERIALS	ASTM SPEC.
1	Body	Brass, Forged	B283 C27450
2	Tailpiece	Brass, Forged	B283 C27450
3	Ball	Brass, Chrome Plating	B283 C27450
4	Ball Seat (1/2"-2")	PTFE	Commercial
	Ball Seat (2 1/2"-4")	RPTFE	
5	Stem	Brass, Forged	B283 C27450
6	Stem O-Ring	Buna-N	D2000
7	Thrust Washer	PTFE	Commercial
8	Gland Nut	Brass	B124
9	Packing	PTFE	Commercial
10	Handle	Zinc Plated Steel	Commercial
11	Handle Nut	Zinc Plated Steel	Commercial
12	Backing Ring	EPDM	Commercial
13**	Backing Spacer	PTFE	Commercial
14**	Backing Retainer	Stainless Steel	Commercial



\* Ultra Press Valves are designed and qualified for use in copper tubing systems only, Types K, L, & M per ASTM B88

\*\* 2-1/2", 3", & 4" Requires XLC installation jaws.

## DIMENSIONS

	UNITS	1/2" DN15	3/4" DN20	1" DN25	1-1/4" DN32	1-1/2" DN40	2" DN50	2-1/2" DN65	3" DN80	4" DN100
A	INCHES	0.51	0.76	0.98	1.26	1.5	2.01	2.48	2.95	3.94
	mm	13	19	25	32	38	51	63	75	100
B	INCHES	3.16	3.71	4.28	5.2	6.31	7.44	8.23	9.13	11.42
	mm	80	94	109	132	160	189	209	232	290
C	INCHES	1.63	1.92	2.18	2.75	3.4	3.96	4.33	4.8	6.06
	mm	41	49	55	70	86	101	110	122	154
D	INCHES	1.62	2.01	2.21	2.46	2.62	3.13	3.86	4.21	6.06
	mm	41	51	56	63	67	80	98	107	154
E	INCHES	3.15	4.33	4.33	5.12	5.12	6.89	7.87	7.87	9.65
	mm	80	110	110	130	130	175	200	200	245
G	INCHES	1.52	1.73	2.31	3.16	3.49	4.28	3.98	4.76	6.14
	mm	39	44	59	80	89	109	101	121	156
Cv		18	40	72	112	161	287	448	645	700

**Note:** Lead free refers to the wetted surface of the pipe, fittings and fixtures in potable water systems that have a weighted average lead content ≤0.25%. Source: California Health and Safety Code (116875).

The information presented on this sheet is correct at time of publication. Milwaukee Valve reserves the right to change design and/or materials without notice. For our Installation, Operation and Maintenance Manual and the most current product information go to [www.milwaukeevalve.com](http://www.milwaukeevalve.com).

⚠ State of California Prop 65 **WARNING:** Cancer and Reproductive Harm. For more information visit [www.p65warnings.ca.gov](http://www.p65warnings.ca.gov).

