

UPBA-490S* 1/2"-2"

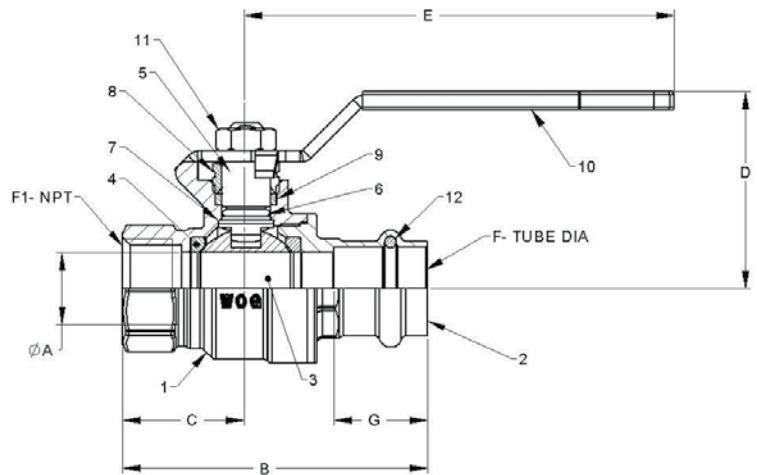


Brass Ball Valve For Potable Water
Two Piece
Full Port
200 psig @ 250°F†
Press x Threaded Ends
Blow-Out Proof Stem

MATERIALS LIST

ITEM	PART	MATERIALS	ASTM SPEC.
1	Body	Brass, Forged	B283 C27450
2	Tailpiece	Brass, Forged	B283 C27450
3	Ball	316 Stainless Steel	A276 S31600
4	Ball Seat	PTFE	Commercial
5	Stem	316 Stainless Steel	A276 S31600
6	Stem O-Ring	Buna-N	D2000
7	Thrust Washer	PTFE	Commercial
8	Gland Nut	Brass	B124
9	Packing	PTFE	Commercial
10	Handle	Zinc Plated Steel	Commercial
11	Handle Nut	Zinc Plated Steel	Commercial
12	Tube O-Ring	EPDM	D2000

*Ultra Press Valves are designed and qualified for use in copper tubing systems only, Types K, L, & M per ASTM B88.



DIMENSIONS

	UNITS	1/2" DN15	3/4" DN20	1" DN25	1-1/4" DN32	1-1/2" DN40	2" DN50
A-PORT DIA	INCHES	0.51	0.76	0.98	1.26	1.50	2.00
	mm	13	19	25	32	38	51
B	INCHES	2.77	3.23	3.71	4.12	4.86	6.14
	mm	70	82	94	105	123	156
C	INCHES	1.14	1.31	1.53	1.71	1.88	2.19
	mm	29	33	39	43	48	56
D	INCHES	1.46	1.93	2.10	2.33	2.52	2.96
	mm	37	49	53	59	64	75
E	INCHES	3.14	4.35	4.35	5.00	5.00	6.90
	mm	80	110	110	127	127	175
F-TUBE DIA	INCHES	0.63	0.88	1.13	1.38	1.63	2.13
	mm	15	20	25	32	40	50
F1 NPT		1/2"-14	3/4"-14	1"-11.5	1 1/4"-11.5	1 1/2"-11.5	2"-11.5
G	INCHES	0.83	1.00	1.00	1.02	1.42	1.57
	mm	21	25	25	26	36	40
Cv		18	40	72	112	161	287

†Non-Shock

Note: Lead free refers to the wetted surface of the pipe, fittings and fixtures in potable water systems that have a weighted average lead content $\leq 0.25\%$. Source: California Health and Safety Code (116875).

The information presented on this sheet is correct at time of publication. Milwaukee Valve reserves the right to change design and/or materials without notice. For our Installation, Operation and Maintenance Manual and the most current product information go to www.milwaukeevalve.com.
⚠ State of California Prop 65 **WARNING:** Cancer and Reproductive Harm. For more information visit www.p65warnings.ca.gov.



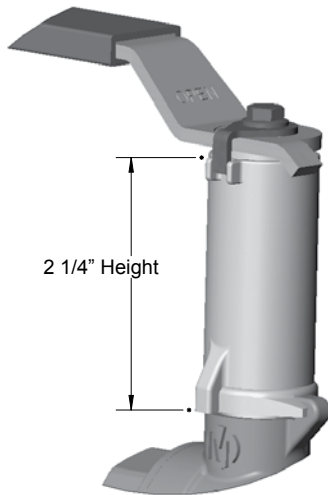
OPTIONS*

BA200/250
BA-475B/485B
BA480B/BA490B

XH Extension Handle

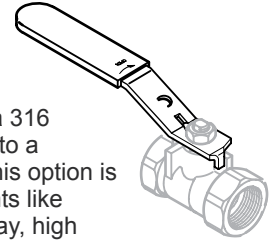
The "XH" stem extension is a simple and effective design. This option is designed for installations where pipe insulation would make standard handles inoperable.

BA480B/490B Series use
BA481B/491B



SH Stainless Steel Handle

The "SH" handle option adds a 316 stainless steel handle and nut to a standard bronze ball valve. This option is intended for harsh environments like areas subject to salt water spray, high humidity, harsh cleaning chemicals, etc.



MS Memory Stop

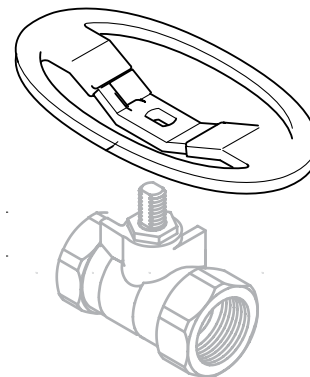
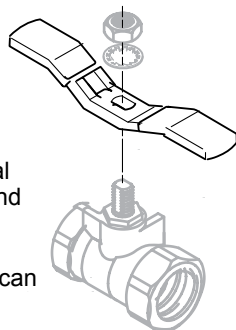
The "MS" Memory Stop provides an adjustable stop when the valve is used in a balancing application. The memory stop can be set to any preset opening point.

OH Oval Handle

Oval handles can be installed where a standard lever handle might encounter interference from adjoining piping. Oval handles can also prevent accidental valve operations, since they have less projection than a lever handle, and require more turning force to operate. The standard oval handle can be field or factory mounted on BA-200/BA-475B series valves up to 2".

TH Tee Handle

Tee handles offer the same installation space savings as oval handles, with a slightly shorter end to end dimension. Tee handles require more handle force to operate, so accidental openings can be reduced.



***Locking Lever Handle Is Available.**

The information presented on this sheet is correct at time of publication. Milwaukee Valve reserves the right to change design and/or materials without notice. For our Installation, Operation and Maintenance Manual and the most current product information go to www.milwaukeevalve.com.
⚠ State of California Prop 65 **WARNING:** Cancer and Reproductive Harm. For more information visit www.p65warnings.ca.gov.

