

UPBBTSCSCL/UPBBTSCS02L 1"-2"



Tested and Certified by
IAFMO R&T to NSF/ANSI 372
for lead free compliance.



MATERIAL LIST

ITEM	PART	MATERIAL	ASTM SPEC
1	Indicator	Sintered Iron	F0008P
2	Housing	Bronze	ASTM 584
3	Body	Bronze	ASTM 584
4	Handle	Brass	
5	Disc	Stainless Steel	Type 304
6	Disc Seal	EPDM	
7	Cover	Die Cast Aluminum	

ALL DIMENSIONS-INCHES

SIZE	1"	1-1/4"	1-1/2"	2"
A	2.13	2.63	2.88	3.25
B	3.94	4.28	4.5	5
C	1.56	1.94	2.19	2.75
D	1.72	2.11	2.38	3.07
K	0.66	0.73	0.73	0.79
L	0.83	0.9	0.1	1.41
M-40	1.1	1.38	1.61	2.07
M-80	0.96	1.28	1.5	1.94
N-40	2.25	2	2.5	2.25
W	1.13	1.25	1.41	1.69

M-40 ARE DIMENSIONS USING
SCHEDULE 40 PIPE

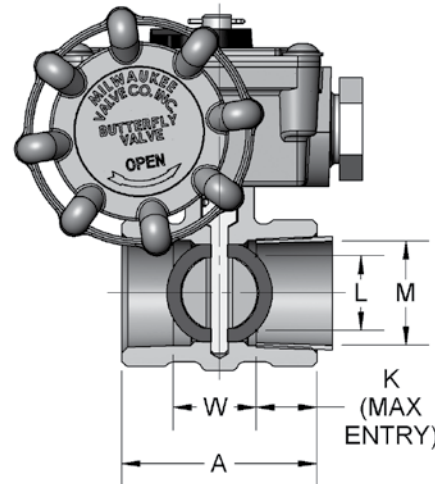
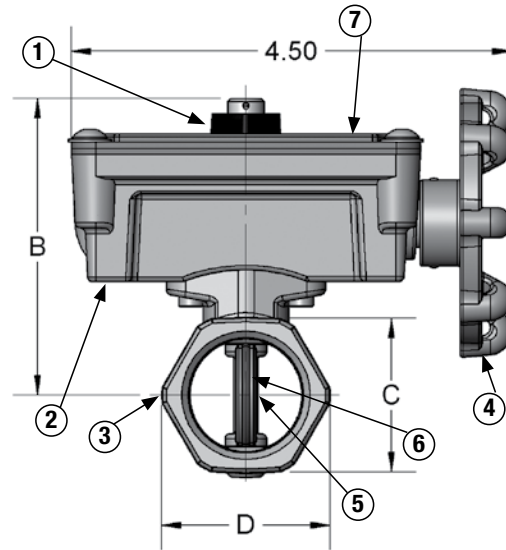
M-80 ARE DIMENSIONS USING
SCHEDULE 80 PIPE

N-40 IS FLOW RESISTANCE
EXPRESSED IN EQUIVALENT LENGTH OF
SCHEDULE 40 PIPE

W IS THE WRENCH MAKE-UP LENGTH

FEATURES

- Slow opening and closing
- Quarter turn operation
- Water Hammer elimination
- Optional internal tamper switch
(Indoor/Outdoor use).
 - Signals disc movement
 - Factory or Field installation
 - 10 Amp / 115 VAC-60 Hz
 - 0.5 Amp / 28 VDC



UPBBTSCSCL
SIZES 1", 1-1/4", 1-1/2", 2"

UPBBTSCS02L
(INCLUDES SWITCH)
SIZES 1", 1-1/4", 1-1/2", 2"

Note: Lead free refers to the wetted surface of the pipe, fittings and fixtures in potable water systems that have a weighted average lead content $\leq 0.25\%$. Source: California Health and Safety Code (116875).

The information presented on this sheet is correct at time of publication. Milwaukee Valve reserves the right to change design and/or materials without notice. For our Installation, Operation and Maintenance Manual and the most current product information go to www.milwaukeevalve.com.
⚠ State of California Prop 65 **WARNING:** Cancer and Reproductive Harm. For more information visit www.p65warnings.ca.gov.

