

# BA-300/300S\* P2 1/2"-2"

**Bronze Ball Valve  
Three Piece  
Full Port**

**200 psig @ 250°Ft  
Press x Press Ends**

**Press x Threaded Ends Available (Consult Factory)**

**Blow-Out Proof Stem**

**Conforms to MSS SP-110**

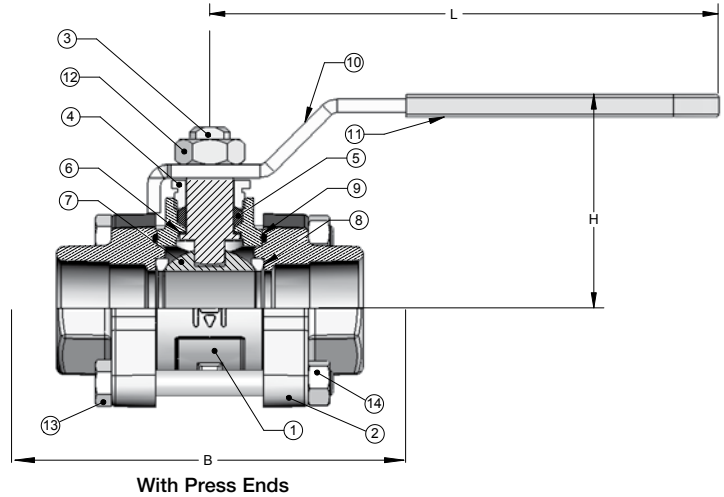


## MATERIAL LIST

ITEM	PART	MATERIAL	ASTM SPEC
1	Body	Bronze	B584
2	End Cap	Bronze	B584
3	Stem	Brass	B16
		316 Stainless Steel (1)	A276
4	Packing Nut	Brass	B16
5	Packing	PTFE	
6	Thrust Washer	RPTFE, 25% Glass Filled	
7	Ball	CP Brass	B283
		316 Stainless Steel (1)	A276
8	Seat	RPTFE, 15% Glass Filled	
9	O'Ring	Viton	Commercial
10	Handle	Steel w/Zinc Plating	Commercial
11	Hand Grip	Vinyl	Commercial
12	Handle Nut	Steel w/Zinc Plating	Commercial
13	Bolt	Steel w/Zinc Plating	Commercial
14	Nut	Steel w/Zinc Plating	Commercial
15	Press Adapters	Brass Fitting w/EPDM O-Ring	B283

(1) Ball & Stem are stainless steel for BA300S P2

**\*Not intended for use in potable water.**

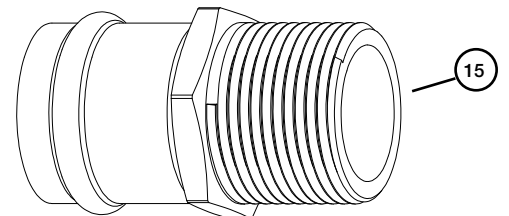
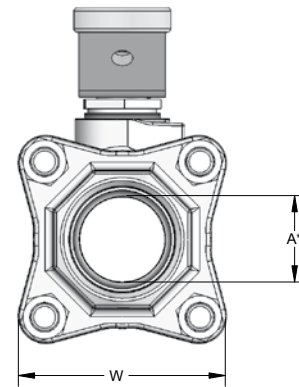


## DIMENSIONS

	UNITS	1/2" DN15	3/4" DN20	1" DN25	1-1/4" DN32	1-1/2" DN40	2" DN50
	A (DIA)	INCHES	0.50	0.75	1.00	1.25	1.50
	mm	13	19	25	32	38	51
STD INSERTION DEPTH	INCHES	0.87	0.98	0.98	1.02	1.42	1.58
	mm	22	25	25	26	36	40
B	INCHES	6.03	7.14	7.82	8.93	9.54	11.9
	mm	153	181	199	227	242	302
H	INCHES	1.85	2.20	2.65	2.79	2.97	3.47
	mm	47	56	67	71	75	88
L	INCHES	4.06	4.58	6.30	6.32	7.20	7.20
	mm	103	116	160	161	183	183
W	INCHES	1.95	2.19	2.48	3.00	3.13	3.78
	mm	50	56	63	76	80	96
F	THREAD SIZE	1/2"	3/4"	1"	1 1/4"	1 1/2"	2"
		NPT	NPT	NPT	NPT	NPT	NPT
Cv	INCHES	17	31	60	110	185	360

Note: DN (Diameter Nominal) = Metric equivalent size.

+Non-Shock



Press End Adapter (4151 SERIES)

The information presented on this sheet is correct at time of publication. Milwaukee Valve reserves the right to change design and/or materials without notice. For our Installation, Operation and Maintenance Manual and the most current product information go to [www.milwaukeevalve.com](http://www.milwaukeevalve.com).

⚠ State of California Prop 65 **WARNING:** Cancer and Reproductive Harm. For more information visit [www.p65warnings.ca.gov](http://www.p65warnings.ca.gov).

