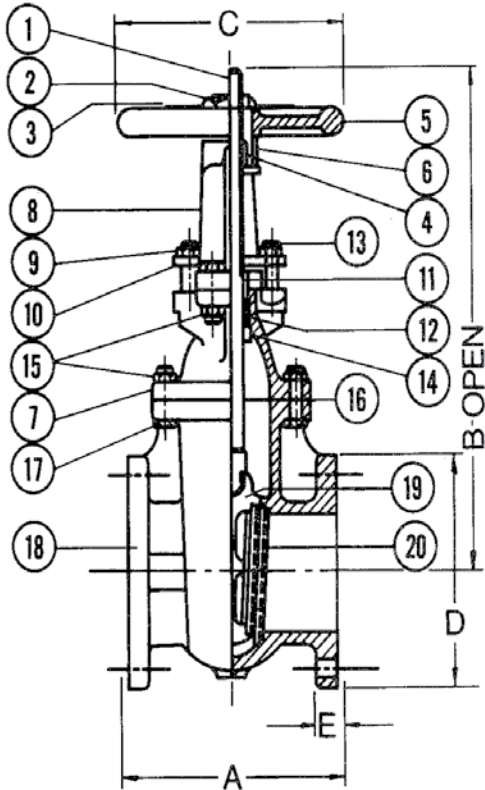




# F-2885-M26 2"-12"

**Iron Gate Valve for Potable Water**  
**125 SWP -200 WOG †**  
**OS & Y • Solid Wedge Disc**  
**Bolted Bonnet • Flanged Ends**  
**Conforms to: MSS SP-70**

Flange shape and drilling to specification ASME/ANSI B16.1 (125 lb.)



MATERIAL LIST			
No.	PART	MATERIAL	SPECIFICATION
1	Stem	Steel	ASTM A108-Gr.1020
2	Handwheel Nut	Ductile Iron	ASTM A 536
3	Name Plate	Aluminum	
4	Yoke Bushing	Ductile Iron	ASTM A 536
5	Handwheel	Cast Iron	ASTM A126, Class B
6 <sup>2</sup>	Yoke Bushing Nut	Cast Iron	ASTM A 126, Class B
7 <sup>1</sup>	Bonnet	Cast Iron	ASTM A 126, Class B
8 <sup>1</sup>	Yoke	Cast Iron	ASTM A 126, Class B
9	Gland Follower Nut	Steel	ASTM A307-B
10	Gland Follower	Ductile Iron	ASTM A 536
11	Packing Gland	Cast Iron	ASTM A 126, Class B
12	Packing	Graphite	
13	Gland Follower Bolt	Steel	ASTM A307-B
14	Backseat Bushing	Ductile Iron	ASTM A 536
15	Nut	Steel	ASTM A307-B
16	Body Gasket	Graphite	
17	Bolt	Steel	ASTM A307-B
18	Body	Cast Iron	ASTM A126, Class B
19	Wedge	Cast Iron	ASTM A126, Class B
20	Seat Ring	Cast Iron	ASTM A126, Class B

<sup>1</sup> Sizes 2" to 3" made with yoke integral with bonnet.  
 Sizes 4" through 12" made with separate yoke bolted to bonnet.  
<sup>2</sup> Sizes 2" to 3" only

DIMENSIONS - INCHES/MILLIMETERS							
Units	Size	A	B	C	D	E	C <sub>v</sub>
Inches mm	2	7.00 178	15.00 381	7.00 178	6.00 152	0.63 16	215
Inches mm	2 1/2	7.50 191	16.88 429	7.00 178	7.00 178	0.69 17	335
Inches mm	3	8.00 203	18.75 476	8.00 203	7.50 191	0.75 19	510
Inches mm	4	9.00 229	22.75 578	10.00 254	9.00 229	0.94 24	945
Inches mm	5	10.00 254	27.13 689	12.00 305	10.00 254	0.94 24	1525
Inches mm	6	10.50 267	30.13 765	12.00 305	11.00 279	1.00 25	2250
Inches mm	8	11.50 292	40.13 1019	14.00 356	13.50 343	1.13 29	4150
Inches mm	10	13.00 330	48.25 1226	16.00 406	16.00 406	1.81 46	6700
Inches mm	12	14.00 356	56.88 1445	18.00 457	19.00 483	1.25 32	9925

Suffix M – Signifies “MILVACO” Series International Valves.  
 † Non-Shock



The information presented on this sheet is correct at time of publication. Milwaukee Valve reserves the right to change design and/or materials without notice. For our Installation, Operation and Maintenance Manual and the most current product information go to [www.milwaukeevalve.com](http://www.milwaukeevalve.com). State of California Prop 65  
**WARNING:** Cancer and Reproductive Harm. For more information visit [www.p65warnings.ca.gov](http://www.p65warnings.ca.gov).

