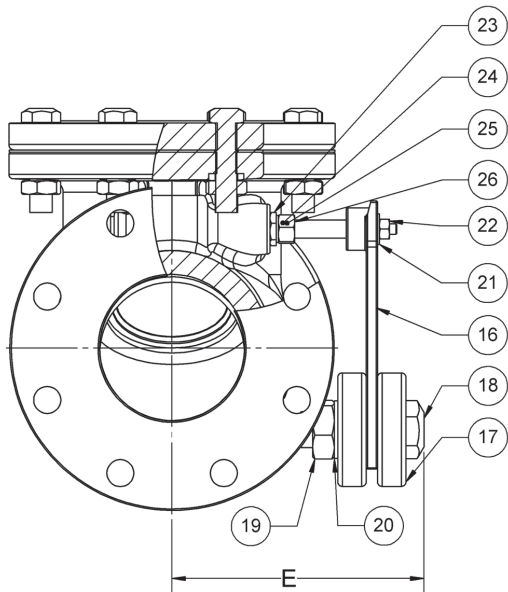
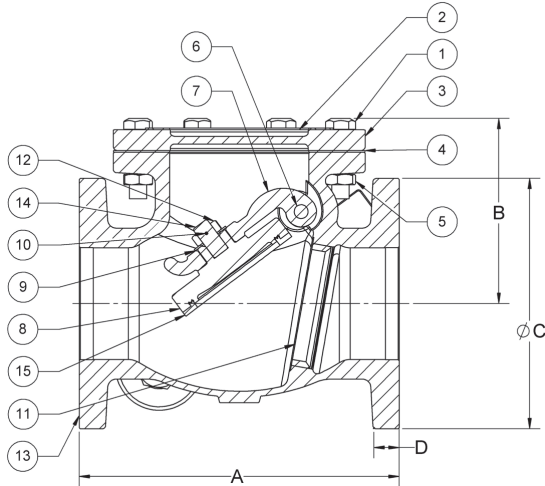


F-2974-LW 2"-12"

Iron Check Valve With Lever and Weight
125 SWP - 200 WOG †
Horizontal Swing • Flanged Ends
Bolted Cover
Conforms to: MSS SP-71



Note 1: On pump discharge, the preferred check valve is either an in-line spring loaded valve or a swing design with lever and weight. Install these valves as far as possible from the pump and elbows with a minimum distance of 5 times the pipe diameter.

MATERIAL LIST			
No.	PART	MATERIAL	SPECIFICATION
1	Bolt	Steel	
2	ID Plate	Aluminum	
3	Bonnet	Cast Iron	ASTM A126, Class B
4	Body Gasket	Graphite	
5	Nut	Steel	
6	Hanger Pin	Brass	ASTM B16
7	Hanger	Ductile Iron	ASTM A536
8	Disc	Cast Iron	ASTM A126, CLASS B
9	Washer	Steel	
10	Cotter Pin	Carbon Steel Galvanized	
11	Seat Ring	Bronze	ASTM B62
12	Disc Nut	Steel	ASTM A307
13	Body	Cast Iron	ASTM A126, CLASS B
14	Disc Bolt	Brass	ASTM B16
15	Disc Ring	Bronze	ASTM B62
16	Lever Weight	Cast Iron	ASTM B128
17	Weight	Cast Iron	ASTM B128
18	Weight Bolt	Carbon Steel	Commercial
19	Weight Nut	Carbon Steel	Commercial
20	Weight Washer	Carbon Steel	Commercial
21	Lever Washer	Carbon Steel	Commercial
22	Lever Nut	Carbon Steel	Commercial
23	Stuffing Box	Brass	ASTM B16
24	Gland	Brass	ASTM B16
25	Packing	Graphite	COMMERCIAL
26	Packing Nut	Brass	ASTM B16

DIMENSIONS - INCHES/MILLIMETERS							
Units	Size	A	B	C	D	E	C _v
Inches mm	2	8.00 203	3.94 100	6.00 152	0.63 16	8.00 203	143
Inches mm	2 1/2	8.50 216	4.50 114	7.00 178	0.69 18	8.50 216	242
Inches mm	3	9.50 241	5.13 130	7.50 191	0.75 19	9.50 241	366
Inches mm	4	11.50 292	6.13 156	9.00 229	0.94 24	11.50 292	572
Inches mm	5	13.00 330	6.81 173	10.00 254	0.94 24	13.00 330	894
Inches mm	6	14.00 356	8.00 203	11.00 279	1.00 25	14.00 356	1287
Inches mm	8	19.50 495	9.44 240	13.50 343	1.13 29	19.50 495	2288
Inches mm	10	24.50 622	12.06 306	16.00 406	1.19 30	24.50 622	3574
Inches mm	12	27.50 699	16.13 410	19.00 483	1.25 32	27.50 699	5147



The information presented on this sheet is correct at time of publication. Milwaukee Valve reserves the right to change design and/or materials without notice. For our Installation, Operation and Maintenance Manual and the most current product information go to www.milwaukeevalve.com. † State of California Prop 65
WARNING: Cancer and Reproductive Harm. For more information visit www.p65warnings.ca.gov.

