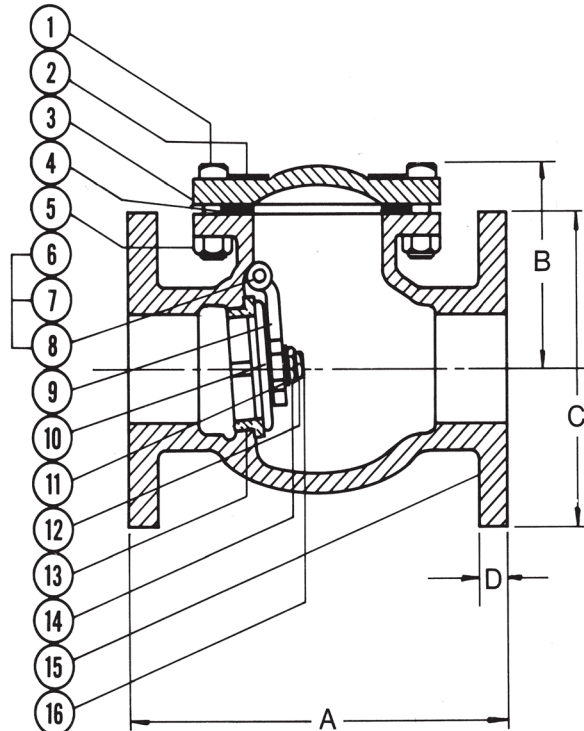


F-2974M26 14"-24"

Iron Check Valve
100 SWP - 150 WOG†
Horizontal Swing • Flanged Ends
Bolted Cover
Conforms to: MSS SP-71

Flange shape and drilling to specification ASME B 16.1 (125 lb).



MATERIAL LIST			
No.	PART	MATERIAL	SPECIFICATION
1	Bolt	Steel	
2	Name Plate	Aluminum	
3	Cover	Cast Iron	ASTM A126, Class B
4	Cover Gasket	Graphite	
5	Nut	Steel	
6	Side Plug	Brass	ASTM B16
7	Hanger Pin	SS 304	ASTM B16
8	Hanger	Ductile Iron	ASTM A536
9	Disc	Cast Iron	ASTM A126, Class B
10	Washer	Steel	
11	Cotter Pin	Zinc Plated Steel	
12	Seat Ring	Bronze	ASTM B62
13	Disc Nut	Steel	ASTM A307
14	Body	Cast Iron	ASTM A126, Class B
15	Stud Bolt	Brass	ASTM B16

DIMENSIONS - INCHES/MILLIMETERS						
Units	Size	A	B	C	D	Cv
Inches mm	14	31.00 787	15.75 400	21.00 533	1.38 35	7006
Inches mm	16	36.00 914	17.25 438	23.50 597	1.44 37	9151
Inches mm	18	36.00 914	19.00 483	25.00 635	1.56 40	11581
Inches mm	20	40.00 1016	21.88 556	27.50 699	1.69 43	14298
Inches mm	24	48.00 1219	24.44 621	32.00 813	1.88 48	20588

Note 1: On pump discharge, the preferred check valve is either an in-line spring loaded valve or a swing design with lever and weight. Install these valves as far as possible from the pump and elbows with a minimum distance of 5 times the pipe diameter.

Note 2: These iron body check valves may be installed in horizontal and vertical lines with upward flow or in intermediate position.

Note 3: The wetted surface of this product contacted by consumable water contains less than one quarter of one percent (.25%) of lead by weight. Meets the requirements of Senate law S.3874.

Suffix M - Signifies "MILVACO" Series International Valves.
† Non-Shock

INNOVATION IN EVERY VALVE

The information presented on this sheet is correct at time of publication. Milwaukee Valve reserves the right to change design and/or materials without notice. For our Installation, Operation and Maintenance Manual and the most current product information go to www.milwaukeevalve.com. ⚠ State of California Prop 65
WARNING: Cancer and Reproductive Harm. For more information visit www.p65warnings.ca.gov.

