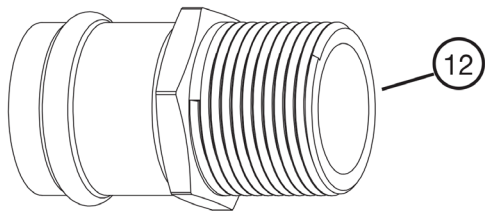
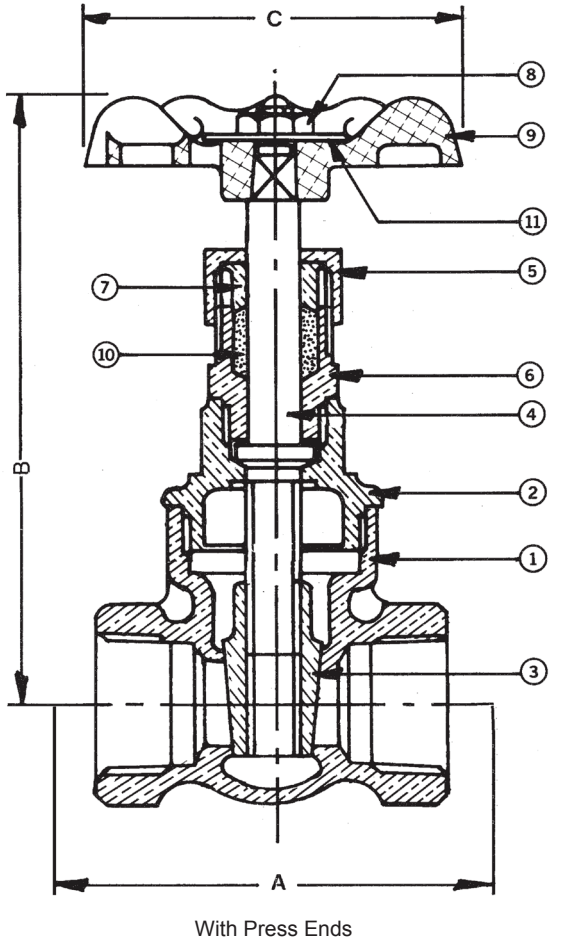


# UP105 P2\* 1/2"-2"

**Bronze Gate Valve for Potable Water**  
**200 psig @ 250°F†**  
**Solid Wedge Disc • Non-Rising Stem**  
**Threaded Bonnet • Press Ends**  
**Dimensions and Workmanship Conform to MSS SP-80**



Press End Adapter (4151 Series)

MATERIAL LIST			
No.	PART	MATERIAL	SPECIFICATION
1	Body	Bronze	B584 C89833
2	Bonnet	Bronze	B584 C89833
3	Wedge	Bronze	B584 C89833
4	Stem	Brass	B21 C46400, H02
5	Stuff Nut	Brass	B283 C37700
6	Check Nut	Brass	B283 C27450
7	Gland <sup>1</sup>	Brass	B283 C37700
8	Wheel Nut	Brass	Commercial
9	Handwheel	Mall. Iron	Commercial
10	Packing	Graphite	Commercial
11	Name Plate	Sh. Alum	Commercial
12	Press Adapters	Brass Fitting W/ EPDM O-Ring	ASTM B283 C27450

<sup>1</sup> Not used on 1/2"

DIMENSIONS - INCHES/MILLIMETERS						
Units	Size	STD Insertion Depth	A	B	C	Cv
Inches mm	1/2	0.87 22	5.00 127	3.63 92	2.00 51	17.6
Inches mm	3/4	0.98 25	5.76 146	4.38 111	2.50 64	32
Inches mm	1	0.98 25	6.56 167	5.00 127	2.75 70	54
Inches mm	1 1/4	1.02 26	6.85 174	5.31 135	3.44 87	97
Inches mm	1 1/2	1.42 36	7.29 185	6.34 161	3.75 95	135
Inches mm	2	1.58 40	9.31 237	7.44 189	3.75 95	230

† Non-Shock

\* Both the valve and 4151 series press end adapters are tested and certified by IAPMO R & T to NSF/ANSI 61 and NSF/ANSI 372 for "Lead Free" compliance.

**Note:** Lead free refers to the wetted surface of the pipe, fittings and fixtures in potable water systems that have a weighted average lead content ≤0.25%. Source: California Health and Safety Code (116875).

The information presented on this sheet is correct at time of publication. Milwaukee Valve reserves the right to change design and/or materials without notice. For our Installation, Operation and Maintenance Manual and the most current product information go to [www.milwaukeevalve.com](http://www.milwaukeevalve.com).

⚠ State of California Prop 65 **WARNING:** Cancer and Reproductive Harm. For more information visit [www.p65warnings.ca.gov](http://www.p65warnings.ca.gov).

