

UP502 P2* 1/2"-2"

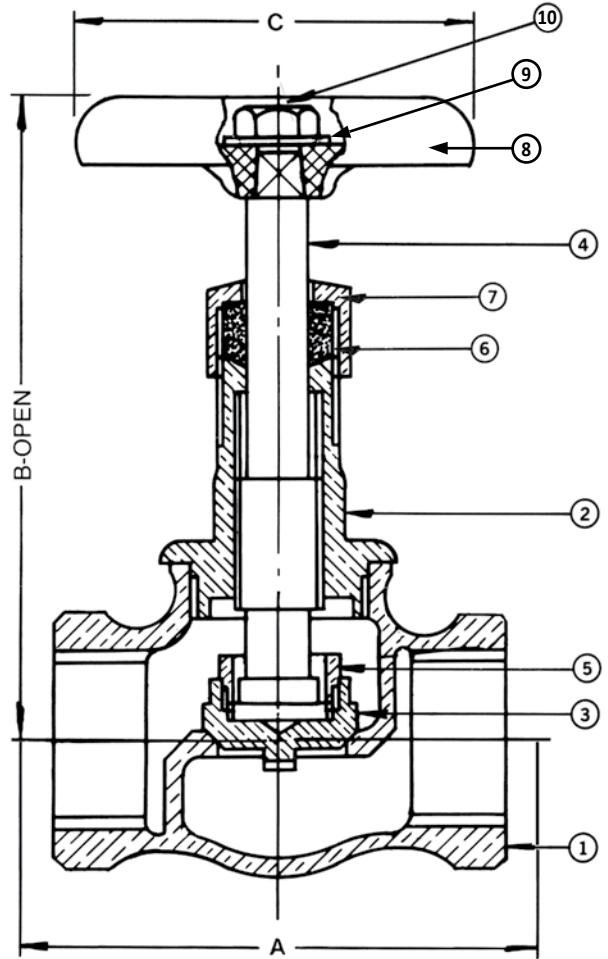
Threaded Bonnet • Press Ends

Dimensions and Workmanship Conform to MSS SP-80

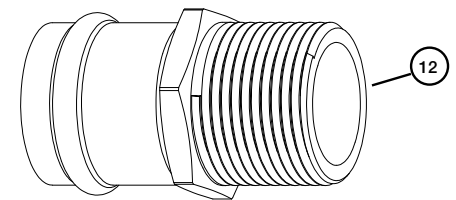
MATERIALS LIST

ITEM	PART	MATERIALS	ASTM SPEC.
1	Body	Bronze	B584 C89833
2	Bonnet	Bronze	B584 C89833
3	Disc	Bronze	B584 C89833
		Brass	B21 C46400, H02
4	Stem	Brass	B21 C46400, H02
5	Disc Ring	Brass	B21 C46400, H02
6	Packing	Graphite	Commercial
7	Packing Nut	Brass	B16 C36000
8	Handwheel	Mall. Iron	Commercial
9	Identification Plate	Aluminum	Commercial
10	Handwheel Nut	Brass	Commercial
11	Gland (not shown)	Brass	B16 C36000
12	Press Adapter	Brass Fitting w/ EPDM O-Ring	B283 C27450

1/2" size has the disc integral with the stem and has no disc ring.



With Press Ends



Press End Adapter (4151 Series)

DIMENSIONS

Units	Size	STD INSERTION DEPTH	A	B	C	Cv
INCHES	1/2	.87	5.31	3.63	2.00	3.6
mm		22	135	92	51	
INCHES	3/4	.98	6.14	3.94	2.50	6.6
mm		25	156	100	64	
INCHES	1	.98	6.94	4.38	2.75	11.1
mm		25	176	111	70	
INCHES	1 1/4	1.02	7.45	5.19	3.44	20.0
mm		26	189	132	87	
INCHES	1 1/2	1.42	8.17	5.75	3.75	28.0
mm		36	208	146	95	
INCHES	2	1.58	10.44	6.75	4.25	48.0
mm		40	265	172	108	

† Non-Shock

*Both the valve and 4151 series press end adapters are tested and certified by IAPMO R & T to NSF/ANSI 61 and NSF/ANSI 372 for "Lead Free" compliance.

Note: Lead free refers to the wetted surface of the pipe, fittings and fixtures in potable water systems that have a weighted average lead content ≤0.25%. Source: California Health and Safety Code (116875).

The information presented on this sheet is correct at time of publication. Milwaukee Valve reserves the right to change design and/or materials without notice. For our Installation, Operation and Maintenance Manual and the most current product information go to www.milwaukeevalve.com.

⚠ State of California Prop 65 **WARNING:** Cancer and Reproductive Harm. For more information visit www.p65warnings.ca.gov.

