



UPBA300/300S P2* 1/2"-2"

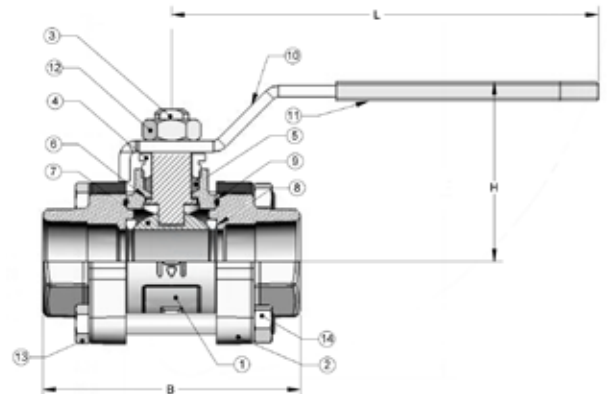
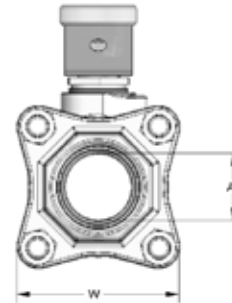
Bronze Ball Valve For Potable Water
Three Piece
Full Port
200 psig @ 250°F†
Press x Press Ends
Blow-Out Proof Stem

Dimensions and Workmanship Conform to MSS SP-110

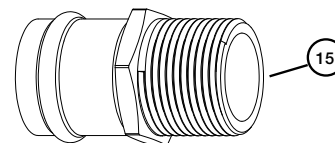
MATERIALS LIST

ITEM	PART	MATERIALS	ASTM SPEC.
1	Body	Cast Bronze	B584 C89833
2	End Cap	Cast Bronze	B584 C89833
3	Stem	Brass	B21 C46400, H02
		316 Stainless Steel (1)	A276 S31600
4	Packing Nut	Brass	B16 C363000
5	Packing	PTFE	Commercial
6	Thrust Washer	RPTFE, 25% Glass Reinforced	Commercial
7	Ball	Brass w/Hard Chrome Plating	B283 C27450
		316 Stainless Steel (1)	A276 S31600
8	Seat	RPTFE, 15% Glass Filled	Commercial
9	O-Ring	Viton	Commercial
10	Handle	Steel w/Zinc Plating	Commercial
11	Handle Grip	Vinyl	Commercial
12	Handle Nut	Steel w/Zinc Plating	Commercial
13	Bolt	Steel w/Zinc Plating	Commercial
14	Nut	Steel w/Zinc Plating	Commercial
15	Press Adaptor	Brass Fitting w/EPDM O-Ring	B283 C27450

(1) Ball and stem are stainless for UPBA300S



with Press Ends



Press End Adapter.

DIMENSIONS

	UNITS	1/2"	3/4"	1"	1-1/4"	1-1/2"	2"
		DN15	DN20	DN25	DN32	DN40	DN50
A	INCHES	0.50	0.75	1.00	1.25	1.50	2.00
	mm	13	19	25	32	38	51
STD INSERTION DEPTH	INCHES	0.87	0.98	0.98	1.02	1.42	1.58
	mm	22	25	25	26	36	40
B	INCHES	6.03	7.14	7.82	8.93	9.54	11.90
	mm	153	181	199	227	242	302
H	INCHES	1.85	2.20	2.65	2.79	2.97	3.47
	mm	47	56	67	71	75	88
L	INCHES	4.06	4.58	6.30	6.32	7.20	7.20
	mm	103	116	160	161	183	183
W	INCHES	1.95	2.19	2.48	3.00	3.13	3.78
	mm	50	56	63	76	80	96
F	THREAD SIZE	1/2"	3/4"	1"	1 1/4"	1 1/2"	2"
		NPT	NPT	NPT	NPT	NPT	NPT
Cv	INCHES	17	31	60	110	185	360

Note: DN (Diameter Nominal) = Metric equivalent size.

†Non-Shock

*Both the valve and 4151 series press end adapters are tested and certified by IAPMO R & T to NSF/ANSI 61 and NSF/ANSI 372 for "Lead Free" compliance.

Note: Lead free refers to the wetted surface of the pipe, fittings and fixtures in potable water systems that have a weighted average lead content ≤0.25%. Source: California Health and Safety Code (116875).

The information presented on this sheet is correct at time of publication. Milwaukee Valve reserves the right to change design and/or materials without notice. For our Installation, Operation and Maintenance Manual and the most current product information go to www.milwaukeevalve.com.

⚠ State of California Prop 65 **WARNING:** Cancer and Reproductive Harm. For more information visit www.p65warnings.ca.gov.

