



# UPBA-480SH\* 1/2" & 3/4"



IAPMO R&T: Tested and Certified to NSF/ANSI/CAN Z1157.  
NSF/ANSI/CAN 61  
NSF/ANSI/CAN 372  
NSF/ANSI/CAN Z1157  
1/2" through 3" Only.

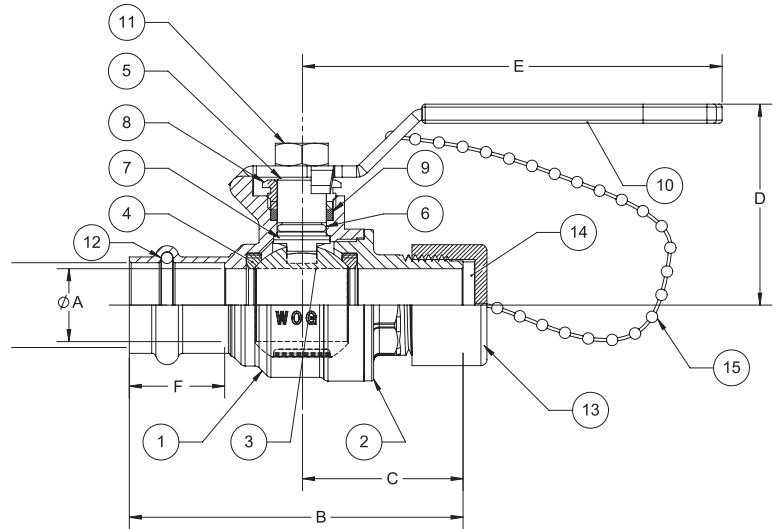
**Brass Ball Valve For Potable Water**  
**Two Piece**  
**Full Port**  
**250 psig @ 250°F†**  
**Press x 3/4" Hose End**  
**Dust Cap and Chain**  
**Blow-Out Proof Stem**

† Non-Shock

## MATERIALS LIST

ITEM	PART	MATERIALS	ASTM SPEC.
1	Body	Brass, Forged	B283 C27450
2	Tailpiece	Brass, Forged	B283 C27450
3	Ball	316 Stainless Steel	A276 S31600
4	Ball Seat	PTFE	Commercial
5	Stem	316 Stainless Steel	A276 S31600
6	Stem O-Ring	Buna-N	D2000
7	Thrust Washer	PTFE	Commercial
8	Gland Nut	Brass	B124
9	Packing	PTFE	Commercial
10	Handle	Zinc Plated Steel	Commercial
11	Handle Nut	Zinc Plated Steel	Commercial
12	Tube O-Ring	EPDM	D2000
13	Hose Cap	Polypropylene	Commercial
14	Cap Gasket	EPDM	Commercial
15	Chain	Brass Bead	Commercial

\* Ultra Press Valves are designed and qualified for use in copper tubing systems only, Types K, L, & M per ASTM B88.



**Do not pressurize cap.**  
**Pressure not to exceed 40 psi.**

Note: Pressure/Temperature rating shown are for VALVE ONLY. Hose side pressure and temperature limit is based on connected hose and is users responsibility

## DIMENSIONS

	UNITS	1/2" DN15	3/4" DN20
A	INCHES	0.51	0.76
	mm	13	19
B	INCHES	3.09	3.5
	mm	78	90
C	INCHES	1.55	1.7
	mm	39	43
D	INCHES	1.62	2.01
	mm	41	51
E	INCHES	3.15	4.33
	mm	80	110
F	INCHES	0.82	0.99
	mm	21	25
G	INCHES	0.83	0.98
	mm	21	25
Cv		18	40

Note: Lead free refers to the wetted surface of the pipe, fittings and fixtures in potable water systems that have a weighted average lead content ≤0.25%. Source: California Health and Safety Code (116875).

The information presented on this sheet is correct at time of publication. Milwaukee Valve reserves the right to change design and/or materials without notice. For our Installation, Operation and Maintenance Manual and the most current product information go to [www.milwaukeevalve.com](http://www.milwaukeevalve.com).

⚠ State of California Prop 65 **WARNING:** Cancer and Reproductive Harm. For more information visit [www.p65warnings.ca.gov](http://www.p65warnings.ca.gov).

