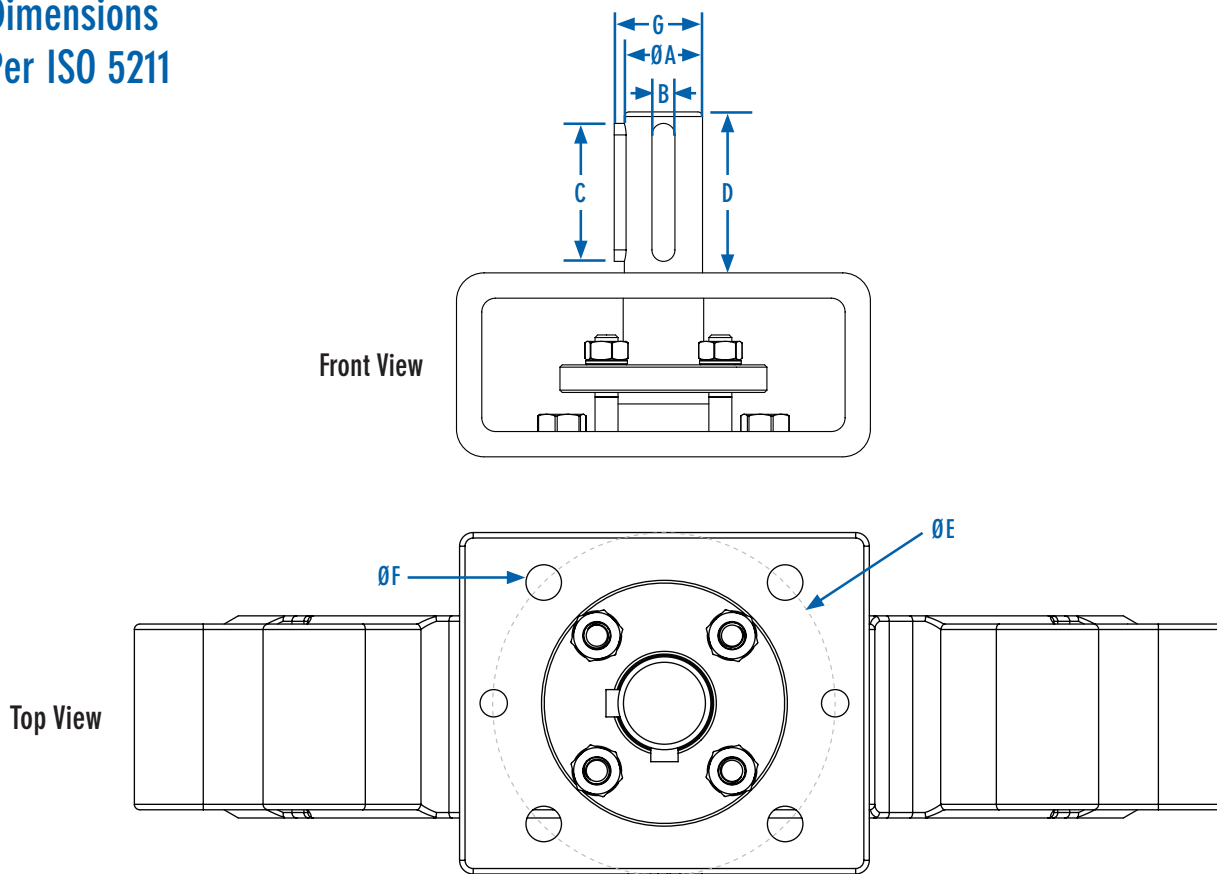


TØV Topworks – 3 to 12 Inches
 Dimensions
 Per ISO 5211



3"-12" CL 150 DIMENSIONS (MM)									
Valve Size	ISO Flange Type	$\text{Ø}A$	B	C	D	$\text{Ø}E$ B.C.	$\text{Ø}F$	G	Valve Torque (N.m)
3"	F07	18	6	30	35	70	9	21	125
4"	F07	22	6	35	40	70	9	25	200
6"	F10	25	8	40	45	102	11	28	380
8"	F12	28	8	50	60	125	13	31	800
10"	F14	34	10	60	70	140	18	37	1,150
12"	F14	40	12	70	80	140	18	43	1,100

3"-12" CL 300 DIMENSIONS (MM)									
Valve Size	ISO Flange Type	$\text{Ø}A$	B	C	D	$\text{Ø}E$ B.C.	$\text{Ø}F$	G	Valve Torque (N.m)
3"	F07	22	6	35	40	70	9	25	200
4"	F10	25	8	40	45	102	11	28	400
6"	F12	28	8	50	60	125	13	31	900
8"	F14	34	10	60	70	140	18	37	2,000
10"	F16	40	12	70	80	165	22	43	2,500
12"	F16	52	16	80	97	165	22	56	3,600

Consult Factory for torque requirements.

The information presented on this sheet is correct at the time of publication. Milwaukee Valve reserves the right to change design and/or materials without notice. For our Installation, Operations and Maintenance Manual (IOM) and the most current product information, go to www.milwaukeevalve.com.

⚠ State of California Prop 65 Warning: Cancer and Reproductive Harm. For more information visit www.p65warnings.ca.gov.

